



RESIDENTIAL GAS REPLACEMENT PARTS LIST

Energy Saver (M-1) Models



Includes Hydrojet® Total Performance System

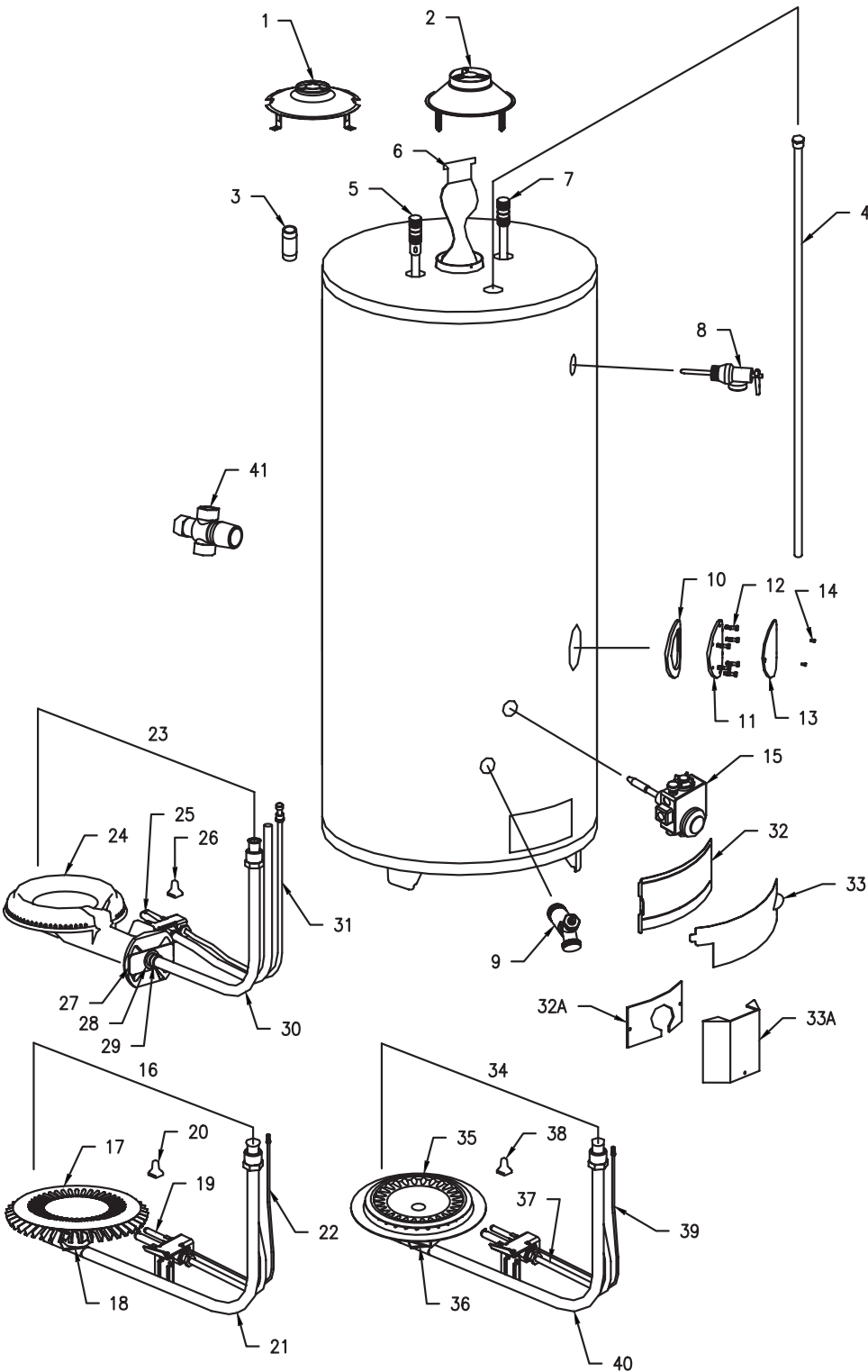
**Dash Ten, Eleven,
Twelve, or Thirteen
(-10, -11, -12, -13)
Series**

**Meets all LoNox and (SCAQMD)
South Coast Air Quality
Management District
Requirements**

***Effective: April 2, 2001
ECO 6501***

**NOTE: BOTH MODEL AND
SERIAL NUMBERS ARE
REQUIRED FOR ORDERING
REPLACEMENT PARTS**

Dimensions and specifications subject
to change without notice.



Reference Number & Description

1	Draft Hood Low Profile
2	Draft Hood
3	Hot Water Outlet Nipple
4	Anode
5	Hot Water Outlet/Anode
6	Flue Baffle
7	Cold Water Inlet Tube
8	T&P Relief Valve
9	Brass Drain Valve
10	O-Ring Gasket
11	Cover Cleanout Opening
12	Cover Screws
13	Cover Cleanout Access
14	Access Cover Screws
15	Thermostat
16	Complete EN Burner Assembly (Fin Type)
17	EN Burner Only
18	Main Burner Orifice
19	Pilot Assembly
20	Pilot Orifice
21	Feed Line
22	Thermocouple
23	Complete Cast Iron Burner Assembly
24	Cast Iron Burner Only
25	Pilot Assembly
26	Pilot Orifice
27	Air Shutter
28	Spring Washer
29	Main Burner Orifice
30	Feed Line
31	Thermocouple
32	Sliding Inner Door
32A	Inner Door
33	Outer Door
33A	Outer Door (pouch style)
34	Complete EN Burner Assembly (Beckett Type)
35	EN Burner Only
36	Main Burner Orifice
37	Pilot Assembly
38	Pilot Orifice
39	Thermocouple
40	Feed Line
41	Tempering Valve (Optional)

Parts Common To MI30T*(EN,CX)(-10,-11) Models

Reference Number and Description	Part Number
2 Draft Hood	243-17971-00
5 Hot Water Outlet/Anode, Magnesium	224-32731-82
6 Flue Baffle	243-37785-31
7 Cold Water Inlet Tube (Hydrojet)	229-39625-07
8 T&P Relief Valve	265-32920-01
9 Brass Drain Valve (No Wheel)	227-42351-01
32 Sliding Inner Door	243-36739-02
33 Outer Door	243-41061-00

Optional Parts Reference Number and Description

5 Hot Water Outlet / Aluminum Anode Assembly	224-32999-06
7 Cold Water Inlet (Hydrojet) Assembly (PSDTA) (NC Code)	229-39628-07
41 Tempering Valve	239-39908-02

Optional Heat trap components -11 models

5 Hot Water Outlet / Magnesium HT Anode Assembly	224-38195-06
5 Hot Water Outlet / Aluminum HT Anode Assembly	224-38437-01
7 Cold Water Inlet (Hydrojet) Assembly (PPDTA)	229-39626-07
7 Cold Water Inlet (Hydrojet) Assembly (PSDTA) (NC Code)	229-39629-07

Parts Unique To MI30T*EN(-10,-11)

Reference Number and Description	Part Number
15 Thermostat Nat. Robertshaw (models with serial WC** and after)	222-41805-01
16 Complete EN burner Assembly (models with serial WC** and after)	243-41868-01
17 EN Burner Only	228-41192-00
18 Main Burner Orifice	234-41034-36
19 Pilot assembly Natural Gas	233-41801-05
20 Pilot Orifice Natural Gas	234-33098-01
21 Feed Line Natural Gas	233-41816-01
2 Thermocouple	233-33043-20

Optional High Altitude Orifice

18 High Altitude Orifice 2000 Ft. to 5000 Ft.	234-41034-39
18 High Altitude Orifice 5000 Ft. to 8000 Ft.	234-41034-41
18 High Altitude Orifice Over 8000 Ft.	234-41034-43

Parts Unique To MI30T*CX(-10,-11)

Reference Number and Description	Part Number
15 Thermostat LP Robertshaw (models with serial WC** and after)	222-41807-01
23 Complete Cast Iron burner Assembly (models with serial WC** and after)	243-41877-03
24 Cast Iron Burner Only	228-37743-00
25 Pilot Assembly	233-41802-03
26 Pilot Orifice LP Gas	234-33098-02
27 Air Shutter	243-35466-00
28 Spring Washer	239-40729-00
29 Main Burner Orifice	234-35928-60
30 Feed Line LP Gas	233-41818-01
31 Thermocouple	233-33043-20

Optional High Altitude Orifice

26 High Altitude Orifice 2000 Ft. to 5000 Ft.	234-35928-54
26 High Altitude Orifice 5000 Ft. to 8000 Ft.	234-35928-54
26 High Altitude Orifice Over 8000 Ft.	234-35928-54

White-Rodgers (Natural Gas) (For models with serial prior to WC**)

15 Thermostat Nat. White-Rodgers	265-40251-01
16 Complete EN burner Assembly	243-41253-01
21 Feed Line Natural Gas	233-40994-01

White-Rodgers (LP Gas) (For models with serial prior to WC**)

15 Thermostat LP White-Rodgers	265-40258-01
23 Complete Cast Iron burner Assembly	243-41270-03
30 Feed Line LP Gas	233-41269-01

*Applies to all warranties

**WC= March, 2000

Parts Common To MI30S*(EN,CX)(-10,-11) Models

Reference Number and Description	Part Number
2 Draft Hood	243-17971-00
5 Hot Water Outlet-Magnesium Anode	224-32731-81
6 Flue Baffle	243-40993-00
7 Cold Water Inlet Tube (Hydrojet)	229-39625-05
8 T&P Relief Valve	265-32920-01
9 Brass Drain Valve (No Wheel)	227-42351-01
32 Sliding Inner Door	243-36739-02
33 Outer Door	243-41061-00

Optional Parts Reference Number and Description

5 Hot Water Outlet / Aluminum Anode Assembly	224-32999-10
7 Cold Water Inlet (Hydrojet) Assembly (PSDTA) (NC Code)	229-39628-05
41 Tempering Valve	239-39908-02

Optional Heat trap components -11 models

5 Hot Water Outlet / Magnesium HT Anode Assembly	224-38195-05
5 Hot Water Outlet / Aluminum HT Anode Assembly	224-38437-05
7 Cold Water Inlet (Hydrojet) Assembly (PPDTA)	229-39626-05
7 Cold Water Inlet (Hydrojet) Assembly (PSDTA) (NC Code)	229-39629-05

Parts Unique To MI30S*EN(-10,-11)

Reference Number and Description	Part Number
15 Thermostat Nat. Robertshaw (models with serial WC** and after)	222-41805-01
16 Complete EN burner Assembly (models with serial WC** and after)	243-41868-06
7 EN Burner Only	228-41192-00
18 Main Burner Orifice	234-41034-38
19 Pilot assembly Natural Gas	233-41801-05
20 Pilot Orifice Natural Gas	234-33098-01
21 Feed Line Natural Gas	233-41816-02
22 Thermocouple	233-33043-20

Optional High Altitude Orifice

18 High Altitude Orifice 2000 Ft. to 5000 Ft.	234-41034-41
18 High Altitude Orifice 5000 Ft. to 8000 Ft.	234-41034-43
18 High Altitude Orifice Over 8000 Ft.	234-41034-43

Parts Unique To MI30S*CX(-10,-11)

Reference Number and Description	Part Number
15 Thermostat LP Robertshaw (models with serial WC** and after)	222-41807-01
23 Complete Cast Iron burner Assembly (models with serial WC** and after)	243-41876-01
24 Cast Iron Burner Only	228-14173-00
25 Pilot Assembly	233-41802-03
26 Pilot Orifice LP Gas	234-33098-02
27 Air Shutter	243-35466-00
28 Spring Washer	239-40729-00
29 Main Burner Orifice	234-35928-52
30 Feed Line LP Gas	233-41818-01
31 Thermocouple	233-33043-20

Optional High Altitude Orifice

26 High Altitude Orifice 2000 Ft. to 5000 Ft.	234-35928-53
26 High Altitude Orifice 5000 Ft. to 8000 Ft.	234-35928-54
26 High Altitude Orifice Over 8000 Ft.	234-35928-54

White-Rodgers (Natural Gas) (For models with serial prior to WC**)

15 Thermostat Nat. White-Rodgers	265-40251-01
16 Complete EN burner Assembly	243-41253-06
21 Feed Line Natural Gas	233-40994-02

White-Rodgers (LP Gas) (For models with serial prior to WC**)

15 Thermostat LP White-Rodgers	265-40258-01
23 Complete Cast Iron burner Assembly	243-41273-01
30 Feed Line LP Gas	233-41269-01

*Applies to all warranties

**WC= March, 2000

Parts Common To MI303T*(EN,CX)(-10,-11) Models

Reference Number and Description	Part Number
2 Draft Hood	243-17971-00
5 Hot Water Outlet-Magnesium Anode	224-32731-82
6 Flue Baffle	243-41448-00
7 Cold Water Inlet Tube (Hydrojet)	229-39625-07
8 T&P Relief Valve	265-32920-01
9 Brass Drain Valve (No Wheel)	227-42351-01
32 Sliding Inner Door	243-36739-02
33 Outer Door	243-41061-00

Optional Parts Reference Number and Description

5 Hot Water Outlet / Aluminum Anode Assembly	224-32999-06
7 Cold Water Inlet (Hydrojet) Assembly (PSDTA) (NC Code)	229-39628-07
41 Tempering Valve	239-39908-02

Optional Heat trap components -11 models

5 Hot Water Outlet / Magnesium HT Anode Assembly	224-38195-06
5 Hot Water Outlet / Aluminum HT Anode Assembly	224-38437-01
7 Cold Water Inlet (Hydrojet) Assembly (PPDTA)	229-39626-07
7 Cold Water Inlet (Hydrojet) Assembly (PSDTA) (NC Code)	229-39629-07

Parts Unique To MI303T*EN(-10,-11)

Reference Number and Description	Part Number
15 Thermostat Nat. Robertshaw (models with serial WC** and after)	222-41805-01
16 Complete EN burner Assembly (models with serial WC** and after)	243-41868-02
17 EN Burner Only	228-41192-00
18 Main Burner Orifice	234-41034-32
19 Pilot assembly Natural Gas	233-41801-05
20 Pilot Orifice Natural Gas	234-33098-01
21 Feed Line Natural Gas	233-41816-01
22 Thermocouple	233-33043-20

Optional High Altitude Orifice

18 High Altitude Orifice 2000 Ft. to 5000 Ft.	234-41034-36
18 High Altitude Orifice 5000 Ft. to 8000 Ft.	234-41034-38
18 High Altitude Orifice Over 8000 Ft.	234-41034-38

Parts Unique To MI303T*CX(-10,-11)

Reference Number and Description	Part Number
15 Thermostat LP Robertshaw (models with serial WC** and after)	222-41807-01
23 Complete Cast Iron burner Assembly (models with serial WC** and after)	243-41877-01
24 Cast Iron Burner Only	228-37743-00
25 Pilot Assembly	233-41802-03
26 Pilot Orifice LP Gas	234-33098-02
27 Air Shutter	243-35466-00
28 Spring Washer	239-40729-00
29 Main Burner Orifice	234-35928-50
30 Feed Line LP Gas	233-41818-01
31 Thermocouple	233-33043-20

Optional High Altitude Orifice

26 High Altitude Orifice 2000 Ft. to 5000 Ft.	234-35928-51
26 High Altitude Orifice 5000 Ft. to 8000 Ft.	234-35928-52
26 High Altitude Orifice Over 8000 Ft.	234-35928-53

White-Rodgers (Natural Gas) (For models with serial prior to WC**)

15 Thermostat Nat. White-Rodgers	265-40251-01
16 Complete EN burner Assembly	243-41253-02
21 Feed Line Natural Gas	233-40994-01

White-Rodgers (LP Gas) (For models with serial prior to WC**)

15 Thermostat LP White-Rodgers	265-40258-01
23 Complete Cast Iron burner Assembly**	243-41270-01
30 Feed Line LP Gas**	233-41269-01

*Applies to all warranties

**WC= March, 2000

Parts Common To MI40T*(EN,CX)(-12,-13) Models

Reference Number and Description	Part Number
2 Draft Hood	243-17971-00
5 Hot Water Outlet-Magnesium Anode	224-32731-82
6 Flue Baffle	243-42283-00
7 Cold Water Inlet Tube (Hydrojet)	229-39625-08
8 T&P Relief Valve	265-32920-01
9 Brass Drain Valve (No Wheel)	227-42351-01
32 Sliding Inner Door	243-36739-02
33 Outer Door	243-41061-00

Optional Parts Reference Number and Description

5 Hot Water Outlet / Aluminum Anode Assembly	224-32999-06
7 Cold Water Inlet (Hydrojet) Assembly (PSDTA) (NC Code)	229-39628-08
41 Tempering Valve	239-39908-02

Optional Heat trap components -13 models

5 Hot Water Outlet / Magnesium HT Anode Assembly	224-38195-06
5 Hot Water Outlet / Aluminum HT Anode Assembly	224-38437-01
7 Cold Water Inlet (Hydrojet) Assembly (PPDTA)	229-39626-11
7 Cold Water Inlet (Hydrojet) Assembly (PSDTA) (NC Code)	229-39629-11

Parts Unique To MI40T*EN(-12,-13)

Reference Number and Description	Part Number
15 Thermostat Nat. Robertshaw	222-41805-01
16 Complete EN burner Assembly	243-41868-04
17 EN Burner Only	228-41192-00
18 Main Burner Orifice	234-41034-32
19 Pilot assembly Natural Gas	233-41801-05
20 Pilot Orifice Natural Gas	234-33098-01
21 Feed Line Natural Gas	233-41816-02
22 Thermocouple	233-33043-20

Optional High Altitude Orifice

18 High Altitude Orifice 2000 Ft. to 5000 Ft.	234-41034-36
18 High Altitude Orifice 5000 Ft. to 8000 Ft.	234-41034-38
18 High Altitude Orifice Over 8000 Ft.	234-41034-38

Parts Unique To MI40T*CX(-12,-13)

Reference Number and Description	Part Number
15 Thermostat LP Robertshaw	222-41807-01
23 Complete Cast Iron burner Assembly	243-41876-16
24 Cast Iron Burner Only	228-14173-00
25 Pilot Assembly	233-41802-03
26 Pilot Orifice LP Gas	234-33098-02
27 Air Shutter	243-35466-00
28 Spring Washer	239-40729-00
29 Main Burner Orifice	234-35928-51
30 Feed Line LP Gas	233-41818-01
31 Thermocouple	233-33043-20

Optional High Altitude Orifice

26 High Altitude Orifice 2000 Ft. to 5000 Ft.	234-35928-53
26 High Altitude Orifice 5000 Ft. to 8000 Ft.	234-35928-53
26 High Altitude Orifice Over 8000 Ft.	234-35928-54

*Applies to all warranties

Parts Common To MI403S*(EN,CX)(-12,-13) Models

Reference Number and Description	Part Number
2 Draft Hood	243-17971-00
5 Hot Water Outlet-Magnesium Anode	224-32731-81
6 Flue Baffle	243-41447-00
7 Cold Water Inlet Tube (Hydrojet)	229-39625-03
8 T&P Relief Valve	265-32920-01
9 Brass Drain Valve (No Wheel)	227-42351-01
32 Sliding Inner Door	243-36739-02
33 Outer Door	243-41061-00

Optional Parts Reference Number and Description

5 Hot Water Outlet / Aluminum Anode Assembly	224-32999-10
7 Cold Water Inlet (Hydrojet) Assembly (PSDTA) (NC Code)	229-39628-03
41 Tempering Valve	239-39908-02

Optional Heat trap components -13 models

5 Hot Water Outlet / Magnesium HT Anode Assembly	224-38195-05
5 Hot Water Outlet / Aluminum HT Anode Assembly	224-38437-05
7 Cold Water Inlet (Hydrojet) Assembly (PPDTA)	229-39626-03
7 Cold Water Inlet (Hydrojet) Assembly (PSDTA) (NC Code)	229-39629-03

Parts Unique To MI403S*EN(-12,-13)

Reference Number and Description	Part Number
15 Thermostat Nat. Robertshaw (models with serial WC** and after)	222-41805-01
16 Complete EN burner Assembly (models with serial WC** and after)	243-41868-08
17 EN Burner Only	228-41192-00
18 Main Burner Orifice	234-41034-32
19 Pilot assembly Natural Gas	233-41801-05
20 Pilot Orifice Natural Gas	234-33098-01
21 Feed Line Natural Gas	233-41816-03
22 Thermocouple	233-33043-20

Optional High Altitude Orifice

18 High Altitude Orifice 2000 Ft. to 5000 Ft.	234-41034-36
18 High Altitude Orifice 5000 Ft. to 8000 Ft.	234-41034-38
18 High Altitude Orifice Over 8000 Ft.	234-41034-38

Parts Unique To MI403S*CX(-12,-13)

Reference Number and Description	Part Number
15 Thermostat LP Robertshaw (models with serial WC** and after)	222-41807-01
23 Complete Cast Iron burner Assembly (models with serial WC** and after)	243-41876-06
24 Cast Iron Burner Only	228-14173-00
25 Pilot Assembly	233-41802-03
26 Pilot Orifice LP Gas	234-33098-02
27 Air Shutter	243-35466-00
28 Spring Washer	239-40729-00
29 Main Burner Orifice	234-35928-50
30 Feed Line LP Gas	233-41818-02
31 Thermocouple	233-33043-20

Optional High Altitude Orifice

26 High Altitude Orifice 2000 Ft. to 5000 Ft.	234-35928-51
26 High Altitude Orifice 5000 Ft. to 8000 Ft.	234-35928-52
26 High Altitude Orifice over 8000 Ft.	234-35928-53

White-Rodgers (Natural Gas) (For models with serial prior to WC**)

15 Thermostat Nat. White-Rodgers	265-40251-01
16 Complete EN burner Assembly	243-41253-08
21 Feed Line Natural Gas	233-40994-03

White-Rodgers (LP Gas) (For models with serial prior to WC**)

15 Thermostat LP White-Rodgers	265-40258-01
23 Complete Cast Iron burner Assembly	243-41273-06
30 Feed Line LP Gas	233-41269-02

*Applies to all warranties

**WC= March, 2000

Parts Common To MI404T*(EN,CX)(-12,-13) Models

Reference Number and Description	Part Number
2 Draft Hood	243-33081-02-20
5 Hot Water Outlet-Magnesium Anode	224-32731-82
6 Flue Baffle	243-41449-00
7 Cold Water Inlet Tube (Hydrojet)	229-39625-06
8 T&P Relief Valve	265-32920-01
9 Brass Drain Valve (No Wheel)	227-42351-01
32 Sliding Inner Door	243-36739-02
33 Outer Door	243-41061-00

Optional Parts Reference Number and Description

5 Hot Water Outlet / Aluminum Anode Assembly	224-32999-06
7 Cold Water Inlet (Hydrojet) Assembly (PSDTA) (NC Code)	229-39628-06
41 Tempering Valve	239-39908-02

Optional Heat trap components -13 models

5 Hot Water Outlet / Magnesium HT Anode Assembly	224-38195-06
5 Hot Water Outlet / Aluminum HT Anode Assembly	224-38437-01
7 Cold Water Inlet (Hydrojet) Assembly (PPDTA)	229-39626-06
7 Cold Water Inlet (Hydrojet) Assembly (PSDTA) (NC Code)	229-39629-06

Parts Unique To MI404T*EN(-12,-13)

Reference Number and Description	Part Number
15 Thermostat Nat. Robertshaw (models with serial WC** and after)	222-41805-01
16 Complete EN burner Assembly (models with serial WC** and after)	243-41868-03
17 EN Burner Only	228-41192-00
18 Main Burner Orifice	234-41034-30
19 Pilot assembly Natural Gas	233-41801-05
20 Pilot Orifice Natural Gas	234-33098-01
21 Feed Line Natural Gas	233-41816-02
22 Thermocouple	233-33043-20

Optional High Altitude Orifice

18 High Altitude Orifice 2000 Ft. to 5000 Ft.	234-41034-31
18 High Altitude Orifice 5000 Ft. to 8000 Ft.	234-41034-32
18 High Altitude Orifice Over 8000 Ft.	234-41034-33

Parts Unique To MI404T*CX(-12,-13)

Reference Number and Description	Part Number
15 Thermostat LP Robertshaw (models with serial WC** and after)	222-41807-01
23 Complete Cast Iron burner Assembly (models with serial WC** and after)	243-41876-07
24 Cast Iron Burner Only	228-14173-00
25 Pilot Assembly	233-41802-03
26 Pilot Orifice LP Gas	234-33098-02
27 Air Shutter	243-35466-00
28 Spring Washer	239-40729-00
29 Main Burner Orifice	234-35928-47
30 Feed Line LP Gas	233-41818-01
31 Thermocouple	233-33043-20

Optional High Altitude Orifice

26 High Altitude Orifice 2000 Ft. to 5000 Ft.	234-35928-49
26 High Altitude Orifice 5000 Ft. to 8000 Ft.	234-35928-50
26 High Altitude Orifice Over 8000 Ft.	234-35928-51

White-Rodgers (Natural Gas) (For models with serial prior to WC**)

15 Thermostat Nat. White-Rodgers	265-40251-01
16 Complete EN burner Assembly	243-41253-03
21 Feed Line Natural Gas	233-40994-02

White-Rodgers (LP Gas) (For models with serial prior to WC**)

15 Thermostat LP White-Rodgers	265-40258-01
23 Complete Cast Iron burner Assembly	243-41273-07
30 Feed Line LP Gas	233-41269-01

*Applies to all warranties

**WC= March, 2000

Parts Common To MI503*(EN,CX)(-10,11) Models

Reference Number and Description	Part Number
2 Draft Hood	243-17971-00
5 Hot Water Outlet-Magnesium Anode	224-32731-82
6 Flue Baffle	243-37785-51
7 Cold Water Inlet Tube (Hydrojet)	229-39625-07
8 T&P Relief Valve	265-32920-01
9 Brass Drain Valve (No Wheel)	227-42351-01
32 Sliding Inner Door	243-36739-02
33 Outer Door	243-41061-00

Optional Parts Reference Number and Description

5 Hot Water Outlet / Aluminum Anode Assembly	224-32999-06
7 Cold Water Inlet (Hydrojet) Assembly (PSDTA) (NC Code)	229-39628-07
41 Tempering Valve	239-39908-02

Optional Heat trap components -11 models

5 Hot Water Outlet / Magnesium HT Anode Assembly	224-38195-06
5 Hot Water Outlet / Aluminum HT Anode Assembly	224-38437-01
7 Cold Water Inlet (Hydrojet) Assembly (PPDTA)	229-39626-07
7 Cold Water Inlet (Hydrojet) Assembly (PSDTA) (NC Code)	229-39629-07

Parts Unique To MI503*EN(-10,-11)

Reference Number and Description	Part Number
15 Thermostat Nat. Robertshaw (models with serial WC** and after)	222-41805-01
16 Complete EN burner Assembly (models with serial WC** and after)	243-41868-08
17 EN Burner Only	228-41192-00
18 Main Burner Orifice	234-41034-32
19 Pilot assembly Natural Gas	233-41801-05
20 Pilot Orifice Natural Gas	234-33098-01
21 Feed Line Natural Gas	233-41816-03
22 Thermocouple	233-33043-20

Optional High Altitude Orifice

18 High Altitude Orifice 2000 Ft. to 5000 Ft.	234-41034-36
18 High Altitude Orifice 5000 Ft. to 8000 Ft.	234-41034-38
18 High Altitude Orifice Over 8000 Ft.	234-41034-38

Parts Unique To MI503*CX(-10,-11)

Reference Number and Description	Part Number
15 Thermostat LP Robertshaw (models with serial WC** and after)	222-41807-01
23 Complete Cast Iron burner Assembly (models with serial WC** and after)	243-41876-06
24 Cast Iron Burner Only	228-14173-00
25 Pilot Assembly	233-41802-03
26 Pilot Orifice LP Gas	234-33098-02
27 Air Shutter	243-35466-00
28 Spring Washer	239-40729-00
29 Main Burner Orifice	234-35928-50
30 Feed Line LP Gas	233-41818-02
31 Thermocouple	233-33043-20

Optional High Altitude Orifice

26 High Altitude Orifice 2000 Ft. to 5000 Ft.	234-35928-51
26 High Altitude Orifice 5000 Ft. to 8000 Ft.	234-35928-52
26 High Altitude Orifice over 8000 Ft.	234-35928-53

White-Rodgers (Natural Gas) (For models with serial prior to WC**)

15 Thermostat Nat. White-Rodgers	265-40251-01
16 Complete EN burner Assembly	243-41253-08
21 Feed Line Natural Gas	233-40994-03

White-Rodgers (LP Gas) (For models with serial prior to WC**)

15 Thermostat LP White-Rodgers	265-40258-01
23 Complete Cast Iron burner Assembly	243-41273-06
30 Feed Line LP Gas	233-41269-02

*Applies to all warranties

**WC= March, 2000

Parts Common To MI50L*(EN,CX)(-10,11) Models

Reference Number and Description	Part Number
2 Draft Hood	243-17971-00
5 Hot Water Outlet-Magnesium Anode	224-32731-81
6 Flue Baffle	243-41447-00
7 Cold Water Inlet Tube (Hydrojet)	229-39625-05
8 T&P Relief Valve	265-32920-01
9 Brass Drain Valve (No Wheel)	227-42351-01
32 Sliding Inner Door	243-36739-02
33 Outer Door	243-41061-00

Optional Parts Reference Number and Description

5 Hot Water Outlet / Aluminum Anode Assembly	224-32999-10
7 Cold Water Inlet (Hydrojet) Assembly (PSDTA) (NC Code)	229-39628-05
41 Tempering Valve	239-39908-02

Optional Heat trap components -11 models

5 Hot Water Outlet / Magnesium HT Anode Assembly	224-38195-05
5 Hot Water Outlet / Aluminum HT Anode Assembly	224-38437-05
7 Cold Water Inlet (Hydrojet) Assembly (PPDTA)	229-39626-05
7 Cold Water Inlet (Hydrojet) Assembly (PSDTA) (NC Code)	229-39629-05

Parts Unique To MI50L*EN(-10,-11)

Reference Number and Description	Part Number
15 Thermostat Nat. Robertshaw (models with serial WC** and after)	222-41805-01
16 Complete EN burner Assembly (models with serial WC** and after)	243-41868-11
17 EN Burner Only	228-41192-00
18 Main Burner Orifice	234-41034-32
19 Pilot assembly Natural Gas	233-41801-05
20 Pilot Orifice Natural Gas	234-33098-01
21 Feed line Natural Gas	233-41816-04
22 Thermocouple	233-33043-20

Optional High Altitude Orifice

18 High Altitude Orifice 2000 Ft. to 5000 Ft.	234-41034-36
18 High Altitude Orifice 5000 Ft. to 8000 Ft.	234-41034-38
18 High Altitude Orifice Over 8000 Ft.	234-41034-38

Parts Unique To MI50L*CX(-10,-11)

Reference Number and Description	Part Number
15 Thermostat LP Robertshaw (models with serial WC** and after)	222-41807-01
23 Complete Cast Iron burner Assembly (models with serial WC** and after)	243-41876-03
24 Cast Iron Burner Only	228-14173-00
25 Pilot Assembly	233-41802-03
26 Pilot Orifice LP Gas	234-33098-02
27 Air Shutter	243-35466-00
28 Spring Washer	239-40729-00
29 Main Burner Orifice	234-35928-50
30 Feed Line LP Gas	233-41818-03
31 Thermocouple	233-33043-20

Optional High Altitude Orifice

26 High Altitude Orifice 2000 Ft. to 5000 Ft.	234-35928-51
26 High Altitude Orifice 5000 Ft. to 8000 Ft.	234-35928-52
26 High Altitude Orifice Over 8000 Ft.	234-35928-53

White-Rodgers (Natural Gas) (For models with serial prior to WC**)

15 Thermostat Nat. White-Rodgers	265-40251-01
16 Complete EN burner Assembly	243-41253-11
21 Feed Line Natural Gas	233-40994-04

White-Rodgers (LP Gas) (For models with serial prior to WC**)

15 Thermostat LP White-Rodgers	265-40258-01
23 Complete Cast Iron burner Assembly	243-41273-03
30 Feed Line LP Gas	233-41269-03

*Applies to all warranties

**WC= March, 2000

Parts Common To MI504S*(EN,CX)(-10,-11) Models

Reference Number and Description	Part Number
2 Draft Hood	239-12950-00
5 Hot Water Outlet-Magnesium Anode	224-32731-82
6 Flue Baffle	243-41449-00
7 Cold Water Inlet Tube (Hydrojet)	229-39625-06
8 T&P Relief Valve	265-32920-01
9 Brass Drain Valve (No Wheel)	227-42351-01
32 Sliding Inner Door	243-36739-02
33 Outer Door	243-41061-00

Optional Parts Reference Number and Description

5 Hot Water Outlet / Aluminum Anode Assembly	224-32999-06
7 Cold Water Inlet (Hydrojet) Assembly (PSDTA) (NC Code)	229-39628-06
41 Tempering Valve	239-39908-02

Optional Heat trap components -11 models

5 Hot Water Outlet / Magnesium HT Anode Assembly	224-38195-06
5 Hot Water Outlet / Aluminum HT Anode Assembly	224-38437-01
7 Cold Water Inlet (Hydrojet) Assembly (PPDTA)	229-39626-06
7 Cold Water Inlet (Hydrojet) Assembly (PSDTA) (NC Code)	229-39629-06

Parts Unique To MI504S*EN(-10,-11)

Reference Number and Description	Part Number
15 Thermostat Nat. Robertshaw (models with serial WC** and after)	222-41805-01
16 Complete EN burner Assembly (models with serial WC** and after)	243-41868-07
17 EN Burner Only	228-41192-00
18 Main Burner Orifice	234-41034-30
19 Pilot assembly Natural Gas	233-41801-05
20 Pilot Orifice Natural Gas	234-33098-01
21 Feed Line Natural Gas	233-41816-03
22 Thermocouple	233-33043-20

Optional High Altitude Orifice

18 High Altitude Orifice 2000 Ft. to 5000 Ft.	234-41034-31
18 High Altitude Orifice 5000 Ft. to 8000 Ft.	234-41034-32
18 High Altitude Orifice Over 8000 Ft.	234-41034-33

Parts Unique To MI504S*CX(-10,-11)

Reference Number and Description	Part Number
15 Thermostat LP Robertshaw (models with serial WC** and after)	222-41807-01
23 Complete Cast Iron burner Assembly (models with serial WC** and after)	243-41876-05
24 Cast Iron Burner Only	228-14173-00
25 Pilot Assembly	233-41802-03
26 Pilot Orifice LP Gas	234-33098-02
27 Air Shutter	243-35466-00
28 Spring Washer	239-40729-00
29 Main Burner Orifice	234-35928-47
30 Feed Line LP Gas	233-41818-02
31 Thermocouple	233-33043-20

Optional High Altitude Orifice

26 High Altitude Orifice 2000 Ft. to 5000 Ft.	234-35928-49
26 High Altitude Orifice 5000 Ft. to 8000 Ft.	234-35928-50
26 High Altitude Orifice Over 8000 Ft.	234-35928-51

White-Rodgers (Natural Gas) (For models with serial prior to WC**)

15 Thermostat Nat. White-Rodgers	265-40251-01
16 Complete EN burner Assembly	243-41253-07
21 Feed Line Natural Gas	233-40994-03

White-Rodgers (LP Gas) (For models with serial prior to WC**)

15 Thermostat LP White-Rodgers	265-40258-01
23 Complete Cast Iron burner Assembly	243-41273-05
30 Feed Line LP Gas	233-41269-02

*Applies to all warranties

**WC= March, 2000

Parts Common To MI75S*(EN,CX)-12 Models

Reference Number and Description	Part Number
1 Draft Hood	239-40769-00-01
3 Hot Water Outlet Nipple	229-32762-18
4 Magnesium Anode	224-32758-07
6 Flue Baffle	243-42557-00
7 Cold Water Inlet Tube (Hydrojet)	229-40963-00
8 T&P Relief Valve	265-32920-01
9 Brass Drain Valve (No Wheel)	227-42351-01
32A Inner Door	243-39207-00
33A Outer Door	243-37177-00
Optional Parts Reference Number and Description	
4 Aluminum Anode	224-38508-03
7 Cold Water Inlet (Hydrojet) Assembly (PSDTA) (NC Code)	229-41212-00
41 Tempering Valve	239-39908-03

Parts Unique To MI75S*EN-12

Reference Number and Description	Part Number
15 Thermostat Nat. Robertshaw (models with serial WC** and after)	222-41805-04
34 Complete EN burner Assembly	243-42556-02
35 EN Burner Only	228-42506-00
36 Main Burner Orifice	234-41034-21
37 Pilot assembly Natural Gas	233-41801-05
38 Pilot Orifice Natural Gas	234-33098-01
39 Thermocouple	233-33043-20
40 Feed Line Natural Gas	233-42567-02
Optional High Altitude Orifice	
36 High Altitude Orifice 2000 Ft. to 5000 Ft.	234-41034-24
36 High Altitude Orifice 5000 Ft. to 8000 Ft.	234-41034-28
36 High Altitude Orifice Over 8000 Ft.	234-41034-28

Parts Unique To MI75S*CX-12

Reference Number and Description	Part Number
15 Thermostat LP Robertshaw (models with serial WC** and after)	222-41807-04
23 Complete Cast Iron burner Assembly	243-41876-32
24 Cast Iron Burner Only	228-14173-00
25 Pilot Assembly	233-41802-03
26 Pilot Orifice LP Gas	234-33098-02
27 Air Shutter	243-35466-00
28 Spring Washer	239-40729-00
29 Main Burner Orifice	234-35928-38
30 Feed Line LP Gas	233-41818-06
31 Thermocouple	233-33043-20
Optional High Altitude Orifice	
26 High Altitude Orifice 2000 Ft. to 5000 Ft.	234-35928-42
26 High Altitude Orifice 5000 Ft. to 8000 Ft.	234-35928-43
26 High Altitude Orifice Over 8000 Ft.	234-35928-43

White-Rodgers (Natural Gas) (For models with serial prior to WC**)

15 Thermostat Nat. White-Rodgers	265-40251-02
23 Complete Cast Iron burner Assembly	243-40272-10
30 Feed Line Natural Gas	233-40268-04

White-Rodgers (LP Gas) (For models with serial prior to WC**)

15 Thermostat LP White-Rodgers	265-40258-02
23 Complete Cast Iron burner Assembly	243-41273-10
30 Feed Line LP Gas	233-41269-04

*Applies to all warranties

**WC= March, 2000

Parts Common To MI100T*(EN,CX)-10 Models

Reference Number and Description	Part Number
2 Draft Hood	243-33081-01-20
3 Hot Water Outlet Nipple	229-40913-03
4 Magnesium Anode	224-32758-14
7 Cold Water Inlet Tube (Hydrojet) Stainless Steel	229-43193-00
8 T&P Relief Valve	265-40594-02
9 Brass Drain Valve (No Wheel)	227-42351-04
10 O-Ring Gasket	205-18427-00
11 Cover-Cleanout Opening	205-18428-00
12 Cover Screws (6 reqd.)	239-82166-00
13 Cover-Cleanout Access	243-20299-00
14 Screw-Access Cover (2 reqd.)	239-32761-00
32A Inner Door	243-39207-00
33A Outer Door	243-37177-00

Optional Parts Reference Number and Description

4 Aluminum Anode	224-38508-01
41 Tempering Valve	239-39908-03

Parts Unique To MI100T*EN-10

Reference Number and Description	Part Number
15 Thermostat Nat. Robertshaw (models with serial WC** and after)	222-41805-06
34 Complete EN Burner Assembly	243-42556-01
35 EN Burner Only	228-42506-00
36 Main Burner Orifice	234-41034-20
37 Pilot assembly Natural Gas	233-41801-05
38 Pilot Orifice Natural Gas	234-33098-01
39 Thermocouple	233-33043-20
40 Feed Line Natural Gas	233-42567-01

Optional High Altitude Orifice

36 High Altitude Orifice 2000 Ft. to 5000 Ft.	234-41034-24
36 High Altitude Orifice 5000 Ft. to 8000 Ft.	234-41034-27
36 High Altitude Orifice Over 8000 Ft.	234-41034-29

Parts Unique To MI100T*CX-10

Reference Number and Description	Part Number
15 Thermostat LP Robertshaw (models with serial WC** and after)	222-41807-06
23 Complete Cast Iron burner Assembly	243-41876-26
24 Cast Iron Burner Only	228-14173-00
25 Pilot Assembly	233-41802-03
26 Pilot Orifice LP Gas	234-33098-02
27 Air Shutter	243-35466-00
28 Spring Washer	239-40729-00
29 Main Burner Orifice	234-35928-35
30 Feed Line LP Gas	233-41818-05
31 Thermocouple	233-33043-20

Optional High Altitude Orifice

26 High Altitude Orifice 2000 Ft. to 5000 Ft.	234-35928-39
26 High Altitude Orifice 5000 Ft. to 8000 Ft.	234-35928-40
26 High Altitude Orifice Over 8000 Ft.	234-35928-43

White-Rodgers (Natural Gas) (For models with serial prior to WC**)

15 Thermostat Nat. White-Rodgers	265-40251-07
23 Complete Cast Iron burner Assembly	243-41325-01
30 Feed Line Natural Gas	233-41268-05

White-Rodgers (LP Gas) (For models with serial prior to WC**)

15 Thermostat LP White-Rodgers	265-40258-06
23 Complete Cast Iron burner Assembly	243-41325-02
30 Feed Line LP Gas	233-41269-05

*Applies to all warranties

**WC= March, 2000



BRADFORD WHITE®

C O R P O R A T I O N

200 Lafayette Street
Middleville, Michigan 49333

Sales/**800-538-2020**
800-532-4020
Fax/215-641-1670

Service/**800-334-3393**
Fax/269-795-1089

Warranty/**800-531-2111**
Fax/269-795-1089

International:
Telephone/**215-641-9400**
Telefax/215-641-9750

In Canada:
Sales/**800-523-2931**
Fax/215-641-9750

Service/**800-334-3393**
Fax/269-795-1089

Fax on Demand:
888-538-7833

Email:
parts@bradfordwhite.com
techserv@bradfordwhite.com

bradfordwhite.com