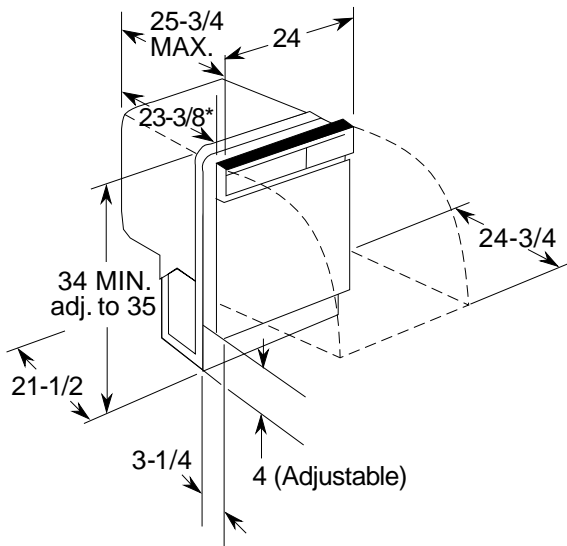




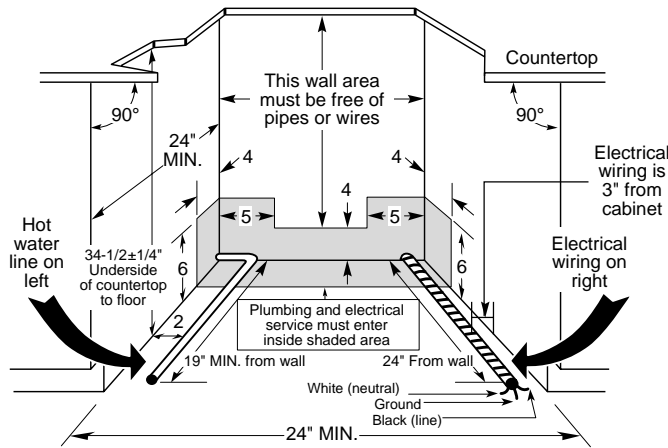
GE Appliances

GSD5500GWW/CC/BB - GE Triton Built-In Dishwasher

Dimensions (in inches)



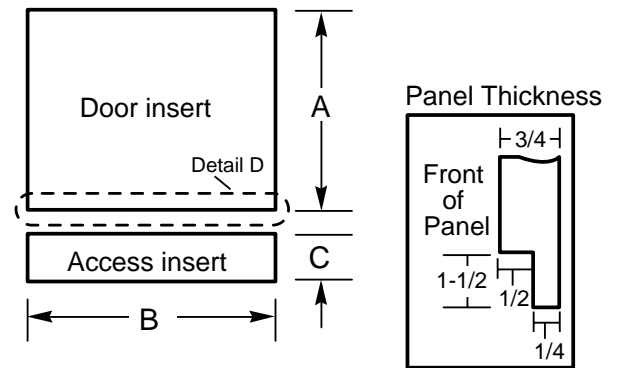
Installation Information (in inches)



Note: Dishwasher must not be installed more than 10 feet from sink for proper drainage. All plumbing and electrical work must be in accordance with local codes.

Note: If a flush look is needed, a 25" base cabinet needs to be used.

Wood Insert Cut-Out Dimensions (in inches)

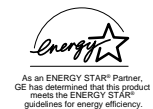


Models/Kits	A	B	C	Panel Thickness
GE Triton Models/GPF425	19-3/4"	23-9/16"	3-11/16"	1/4"
GE Triton Models/GPF475	19-7/8"	23-5/8"*	3-11/16"***	3/4"

*Bottom of panel must be notched 1-1/2" x 1/2" to clear across panel (See illustration above).

**Adjustment required to match adjacent cabinets fronts due to leveling leg adjustment, 4" nominal.

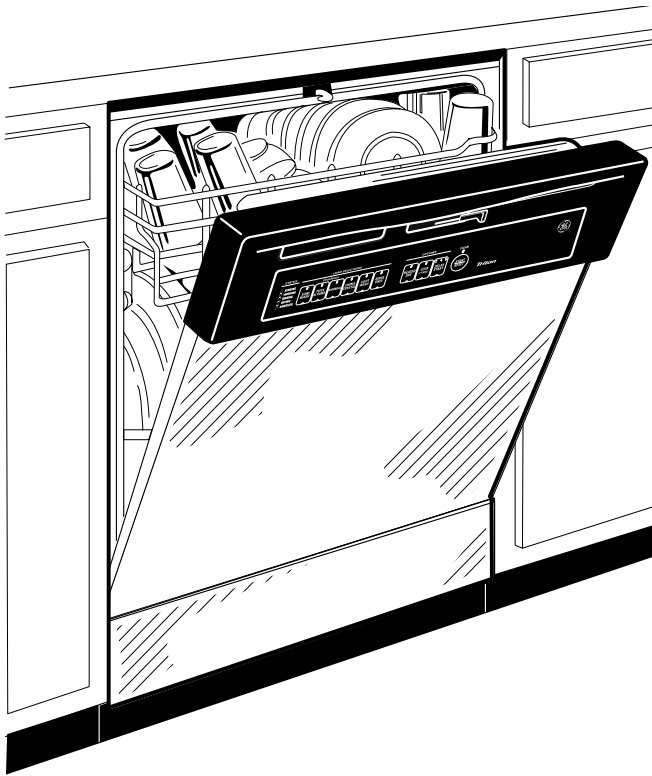
For answers to your Monogram®, GE Profile™ or GE appliance questions, visit our website at GEAppliances.com or call GE Answer Center® service, 800.626.2000.





GE Appliances

GSD5500GWW/CC/BB - GE Triton Built-In Dishwasher



Features and Benefits

- Energy Star® Qualified
- TriClean™ Wash System Provides Six Levels of Wash
- 100% Triple Water Filtration
- Dual Pumps and Motors
- Piranha™ Hard Food Disposer
- CleanSensor Technology
- Electronic Controls with 10 Touchpads and Cycle Progress Indicators
- Super Upper Rack
- Super Lower Rack
- Super Capacity Plus Silverware Basket with One Cell Cover
- Variable Cycle Selections: Pots & Pans, Normal Wash, Light Wash, China/Crystal, SaniWash and Rinse Only
- Variable Options: Heated Dry, 2/4/8-Hour Delay Start and Child Lock
- Rinse Aid Dispenser with Indicator
- QuietPower™ II Sound Insulation Package
- Permatuf™ Tub and Door Liner
- QuietPower™ Motor
- Model GSD5560GSS - Stainless/Black
- Model GSD5500GWW - White on white
- Model GSD5500GCC - Bisque on bisque
- Model GSD5500GBB - Black on black